



## SPACER / STOPPER INSTALLATION INSTRUCTIONS



**TRINITY PRO 72" STAINLESS STEEL ROLLING  
WORKBENCH W/ ADJUSTABLE TOP  
Model # TLSF-7211**

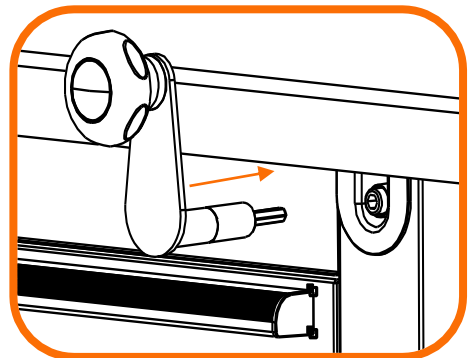
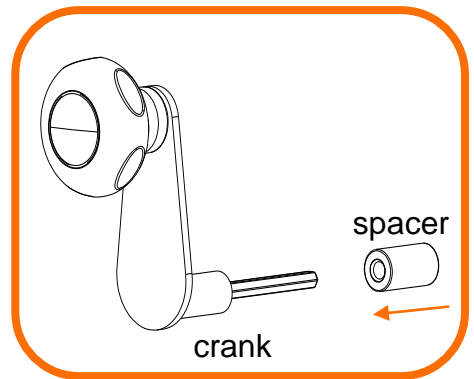
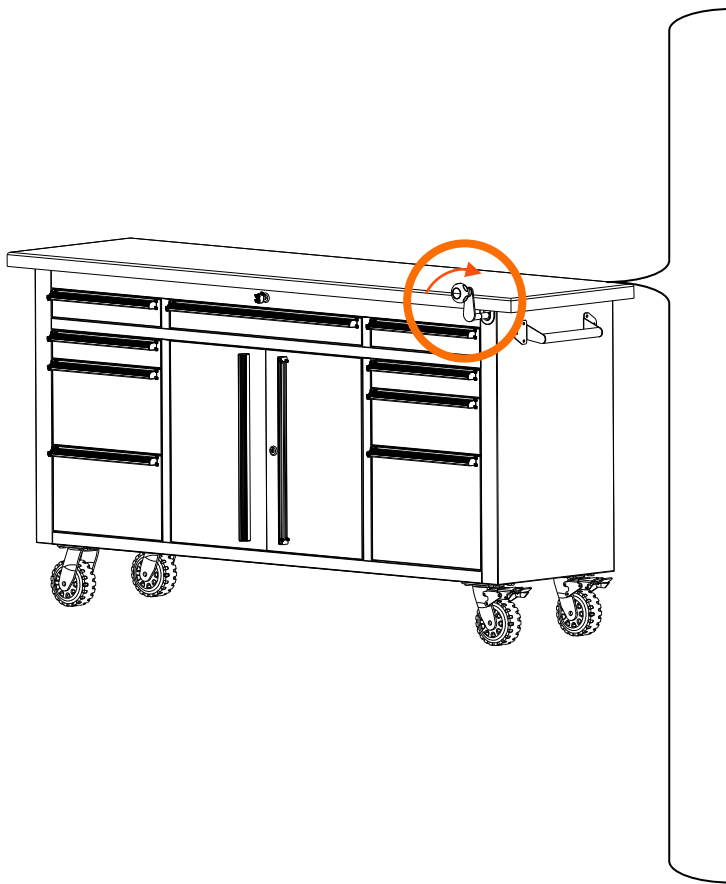
**IMPORTANT! DO NOT DISCARD. PLEASE OPEN.  
WARNING! READ CONTENTS BEFORE PRODUCT USAGE.**

# SPACER INSTALLATION INSTRUCTIONS

## WARNING!

FOR PROTECTION AGAINST POSSIBLE INJURY, INSTALL SPACER TO CRANK FIRST BEFORE RAISING WOOD TOP.

1. Locate CRANK in packaging
2. Slide SPACER on to the crank as shown
3. Insert CRANK with SPACER into receiver on workbench
4. Turn CRANK **clockwise** to raise wood top

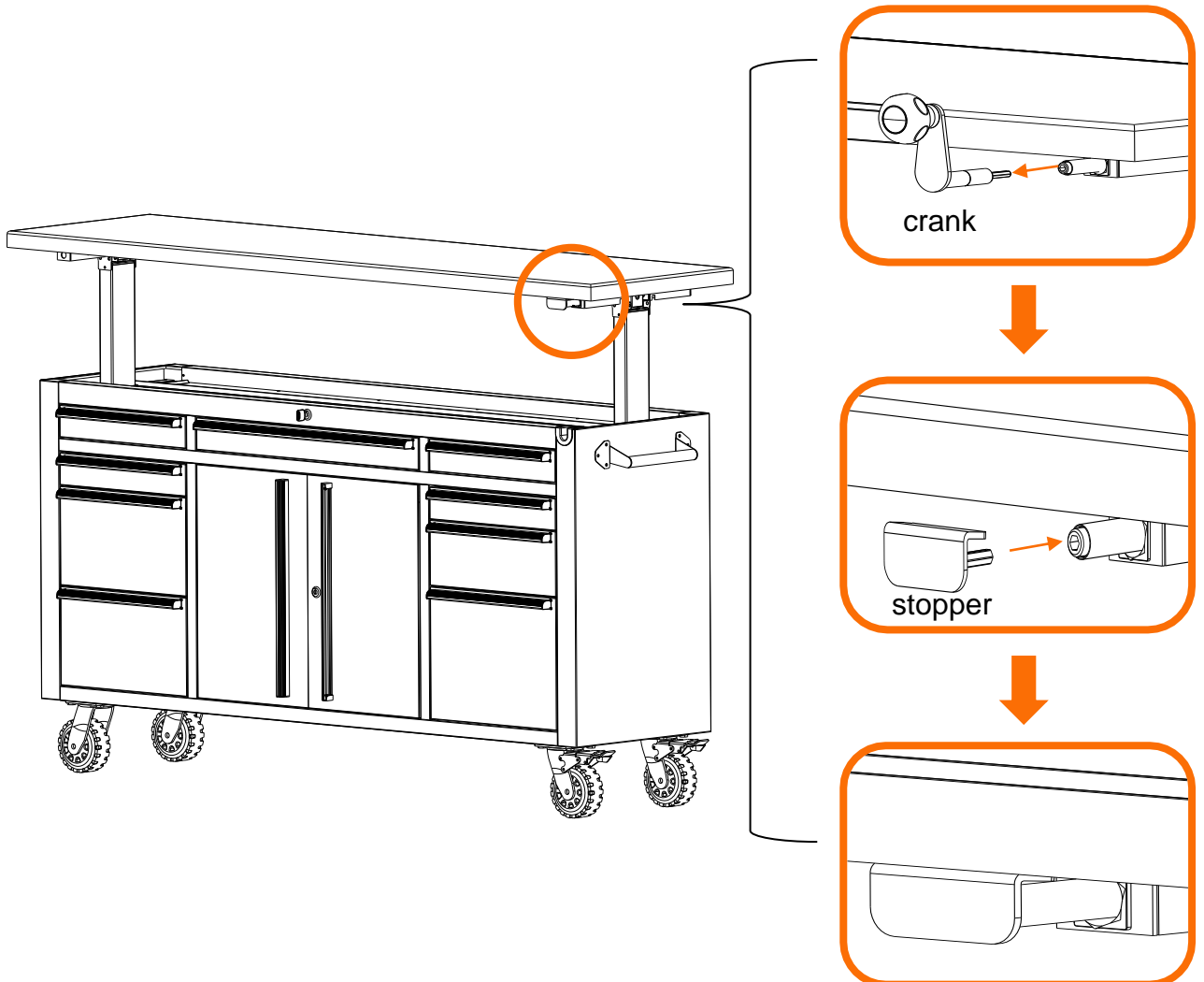


# STOPPER INSTALLATION INSTRUCTIONS

## WARNING!

FOR PROTECTION AGAINST POSSIBLE INJURY, INSTALL STOPPER FIRST BEFORE PUTTING WEIGHT ON WOOD TOP.

1. Remove all items from wood top before adjusting wood top height. Items falling from wood top during adjustment may cause injury.
2. After raising or adjusting wood top to desired position, remove CRANK.
3. Always install STOPPER before utilizing raised wood top.
4. Insert STOPPER partially into receiver, rotate to ensure STOPPER is aligned to underside of wood top.
5. Push STOPPER fully into receiver under wood top. Ensure front of STOPPER is flush with front of wood top.
6. If further height adjustment to wood top is desired, remove STOPPER by pulling it out. Insert CRANK and repeat steps.



---

## CONTACT US

**QUESTIONS? NEED PARTS?  
WE ARE HERE TO HELP!**

**Please feel free to contact us. There are no questions too small, or any problems too big. We're committed to providing our customers with the highest level of service.**

### **TRINITY Customer Service**

**TEL: 800.985.5506**

**FAX: 310.347.4134**

**EMAIL: [customerservice@trinityii.com](mailto:customerservice@trinityii.com)**

**Monday through Friday  
5:00 AM – 5:00 PM (PST)**

**[www.trinityii.com](http://www.trinityii.com)**